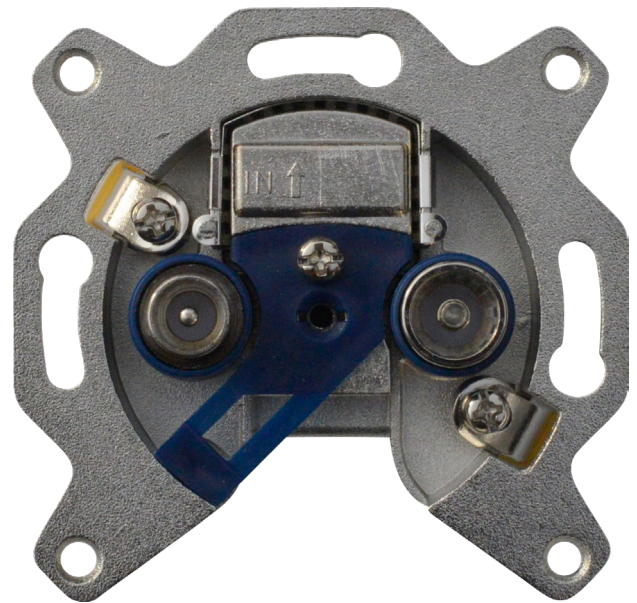




OUTLET TV/R - w. IEC connectors and Frame
Size: (H) 86 x (W) 86 x (D) 32 mm, RAL 9010



METAL HOUSING - w. IEC connectors

ABOUT THE OUTLET

New outlet that comply with the latest industry standards. Designed for marine use covering the complete TV and Radio frequency worldwide. The double isolation make the outlet free from interference and grounding, which is common in many systems today. Surge protection makes it suitable for digital signals. For each splitter or tap-off output you need one SEAS outlet.

All outlets are approved; CE50083-2:2006.

DESCRIPTION

SEAS Outlet TV/R w. IEC conn.

PART NO

1020

TECHNICAL SPECIFICATION

Size	(H) 86 x (W) 86 x (D) 32 mm		
Cover	White RAL 9010		
Material	ABS plastic flame retardant		
Weight	110g		
Frequency range	TV	47-68 MHz; 130-1.000 MHz	
	R	0.1-30 MHz; 88-108 MHz	
Through loss	IN-TV	47~68 MHz 1dB typ.	2.8 dB max.
		130~1000 MHz 1dB.	1.5dB max.
	In-R	0.1~30 MHz 2.5 dB typ.	4 dB max.
		88~108 MHz 1 dB typ.	1.8 dB max.
Isolation	TV-R	47-68 MHz 12 dB min.	
		88-108 MHz 12 dB min.	
		130-1000 MHz 12 dB min.	
Return loss	IN	5-68 MHz 10 dB min.	
		88-108 MHz 10 dB min.	
		130-1000 MHz 14 dB* min, but >10dB	
	TV	47-68 MHz 10 dB min.	
		130-1000 MHz 14 dB* min, but >10dB	
		R	88-108 MHz 10 dB min.
Connectors	Input	Terminal block	
	TV	IEC male	
	R	IEC female	
Impedance	75 Ohms		
Galvanic isolation	400 V		
	Optional 2.5 kV with reduced frequency range only special order		
Screening factor	TV 35 dB, R 43dB		
Operation temp.	-40 to +60°C		
Protection	IP20		
Approvals	CE50083-2:2006 (Class B)		



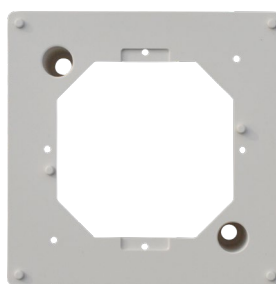
SPARE PARTS DESCRIPTION PART NO

SEAS Cover TV/R
SEAS Frame (fits all SEAS)

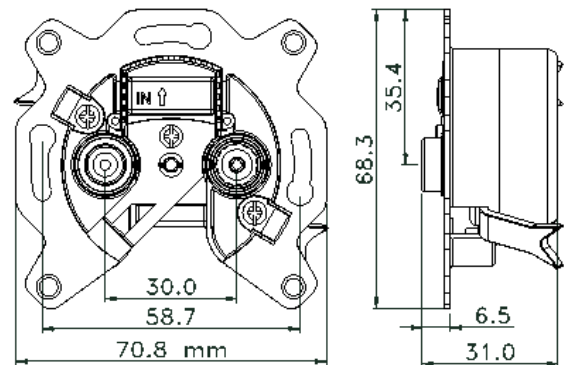
1020-1
1020-2



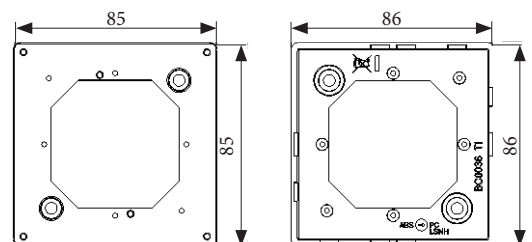
TV/R, 1020-1



Frame, 1020-2



MECHANICAL MEASUREMENTS
Metal Housing



MECHANICAL MEASUREMENTS
Frame, 1020-2

All specifications stated are subject to change without notice.