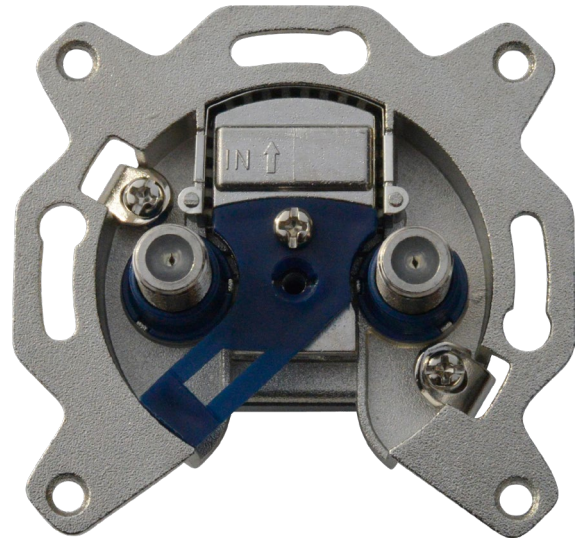




OUTLET TV/R w. F connectors and frame
Size: (H) 86 x (W) 86 x (D) 32 mm, RAL 9010



METAL HOUSING - w. F connectors

ABOUT THE OUTLET

New outlet that comply with the latest industry standards. Designed for marine use covering the complete TV and Radio frequency worldwide. The double isolation make the outlet free from interference and grounding, which is common in many systems today. Surge protection makes it suitable for digital signals. For each splitter or tap-off output you need one SEAS outlet.

All outlets are approved; CE50083-2:2006.

DESCRIPTION

SEAS Outlet TV/R w. F conn.

PART NO

1021

TECHNICAL SPECIFICATION

Size	(H) 86 x (W) 86 x (D) 32 mm		
Cover	White RAL 9010		
Weight	110g		
Frequency range	TV	47-68 MHz; 130-1.000 MHz	
	R	0.1-30 MHz; 88-108 MHz	
Through loss	IN-TV	47~68 MHz	1dB typ. 2.8 dB max.
		130~1000 MHz	1dB. 1.5dB max.
Isolation	In-R	0.1~30 MHz	2.5 dB typ. 4 dB max.
		88~108 MHz	1 dB typ. 1.8 dB max.
Return loss	TV-R	47-68 MHz	12 dB min.
		88-108 MHz	12 dB min.
		130-1000 MHz	12 dB min.
Connectors	IN	5-68 MHz	10 dB min.
		88-108 MHz	10 dB min.
		130-1000 MHz	14 dB* min, but >10dB
	TV	47-68 MHz	10 dB min.
Impedance		130-1000 MHz	14 dB* min, but >10dB
	R	88-108 MHz	10 dB min.
Galvanic isolation	Input	Terminal block	
	TV	F female	
Screening factor	R	F female	
		75 Ohms	
Operation temp.		400 V	
		Optional 2.5 kV with reduced frequency range only special order	
Protection Approvals		TV 35 dB, R 43dB	
		-40 to +60°C	
		IP20	
		CE50083-2:2006 (Class B)	



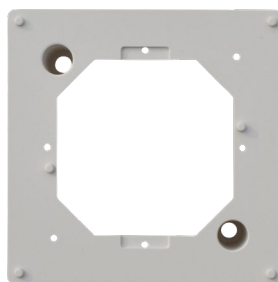
SPARE PARTS DESCRIPTION PART NO

SEAS Cover TV/R
SEAS Frame (fits all SEAS)

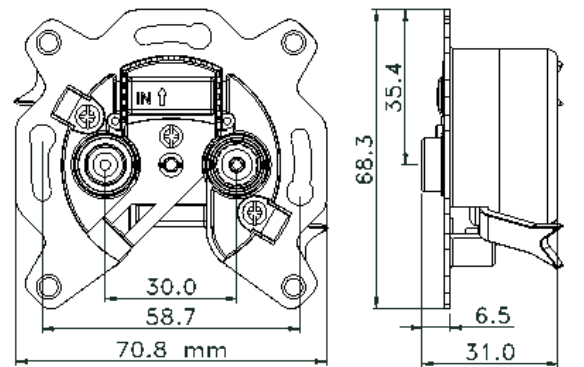
1020-1
1020-2



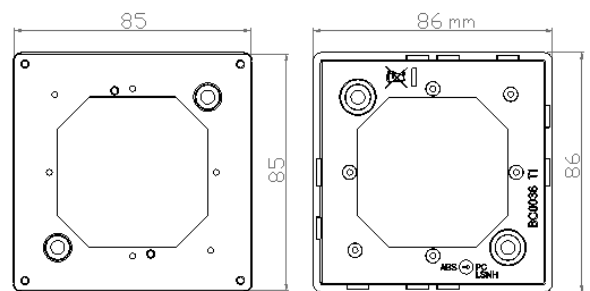
TV/R, 1020-1



Frame, 1020-2



MECHANICAL MEASUREMENTS
Metal Housing



MECHANICAL MEASUREMENTS
Frame, 1020-2

All specifications stated are subject to change without notice.