

FEATURES

- For co-axial cable having approx. 6.8-7.00mm outer diameter.

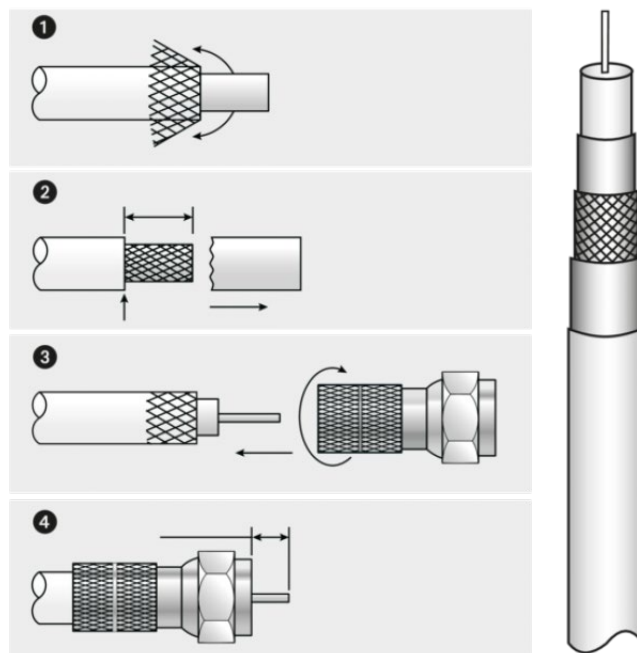


F connector, RG6

TECHNICAL SPECIFICATION

Type	F-Contact, Male
Material	Metal
Coating	Nickel plated

CONNECTOR MOUNTING



DESCRIPTION
SEAS F Connector, RG11

PART NO
3031

SEAS 3031_Rev. 1.0.pdf