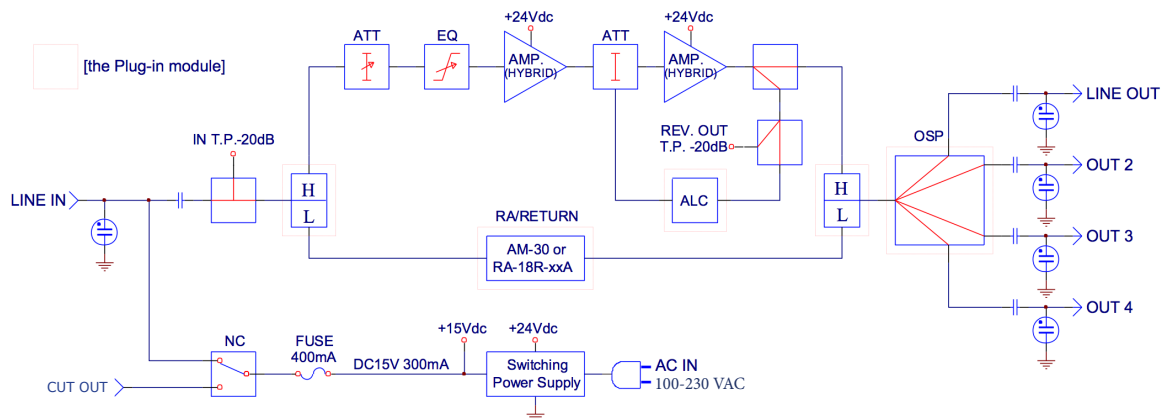


SEAS 4041 for 56/64 outlets (36/44dB)  
Size: (L) 265 x (W) 190 x (H) 110 mm

## FEATURES

- Digital and analogue
- Worldwide marine use
- Proven and reliable technology
- Simple and easy installation
- No additional accessories in system setup
- Excellent ESD and surge protection
- Line amplifier for worldwide marine use
- Advanced ALC (Automatic Level Control) with LO-HI switch
- Test points on input and output
- Sturdy die-cast housing conforming to protection class IP54
- Multistandard modulator built in for PAL, SECAM, NTSC



## DESCRIPTION

SEAS 4041; 56/64 outlets; 36/44 dB

## PART NO

4041

SEAS 4041\_Rev. 1.4.pdf



# SEAS 4041

Line amplifier; 56/64 outlets; 36/44 dB

## TECHNICAL SPECIFICATION

Size (H) 265 x (W) 190 x (D) 110 mm  
 Housing Aluminium Die-casting, Finishing: Black painted  
 Connectors IN: 5/8"-24 NEF F-Female to 3/8"-32 UNEF F-Female Adaptor  
 OUT: F-Female Connector (4 pcs)  
 Weight 3.50 Kg

### Electrical Specification

RF Amplification	Push-Pull Hybrid Module	
Operation Gain	(w/ RA-30)	100 KHz 16.5 dB min. 5 MHz 22.0 dB min. 27 MHz 27.0 dB min. 47~862 MHz 36.0 dB min. w. 4 outputs 47~862 MHz 42.0 dB min. w. 1 output
IN-OUT		
Operation Gain		44.0 dB min.
Gain Control		0~ -18.0 dB (adj.)
Slope Control	(w/ MS-86/ 18)	0~ -18.0 dB (adj.)
Auto Level Control	(w/ ALC-12)	+/-12.0 dB
Noise Figure	47~862 MHz	8.0 dB typ. 9.0 dB max.
Output Level (Reference)	55/ 550/ 862 MHz	77 NTSC chs. +312 MHz digital* (97 / 102 / 94 dBu V)
Composite Second Order (CSO)		-60 dBc
Composite Triple Beat (CTB)		-60 dBc
Cross Modulation (XMOD)		-60 dBc
Return Loss	100~300 KHz	6 dB min.
(w/ Jumpers)	300 KHz~27 MHz	14 dB typ. 12 dB min.
	47~862 MHz	12 dB typ. 10 dB min.

### General Specifications

Input Voltage 100-230 VAC +/-5%/ 50/60Hz.  
 Input & Output Test Ports -20 +/- 2 dB, F-Female  
 Input & Output Impedance 75 Ohm  
 Surge Protection 7000 V for 1.2 x 50 µs  
 Fuse (For Power Supply) 0.2 A / 250 V (230 Vac)  
 Power Consumption (Including Powering output to Antenna) 35 W  
 AC Cord AC Inlet Module; 1,5m cord w. Schuko  
 Operating Temperature -40 to +60°C  
 Cut out function Build-in relay activated by singel pole switch.

### EMC & Safety

EMC EN60945:2002, EN55027-2, EN61000-3-2/3-3/4-2-4-6  
 Safety EN60950, EN60601  
 Water Ingress Rating IP54 (NEMA 4)  
 Dielectric Strength Test\*\* >2M Ohm, <1m A @2120VDC  
 Protective Earth Connection\*\*\* <0.1 Ohm



### Modulator Specifications

#### Video input

Frequency range 20 Hz - 6 MHz  
 Level/impedance 1 V +/- 0.1 V/75 Ohm

#### Audio input

Frequency range 20 Hz - 15 kHz  
 Level Adjustment 0 - 7dB  
 Level/impedance/deviation\*\*\*\* 2x775 mV RMS/10 KOHM/50 kHz

#### RF Output

Level adjustment 0 Hz - 20 dB  
 Output channels according channels charts B/G/D/K/H/I/L/M/N/Australia  
 Frequency range 45-84 MHz, 170-300 MHz, 470-862 MHz  
 Sound subcarrier frequency 4.5 MHz, 5.5 MHz, 6.0 MHz, 6.5 MHz  
 Fine tuning range of video carrier frequency +/- 2.25 MHz max. by 0.25 MHz step  
 Video frequency response +/1 dB  
 A/V ratio 12/16 dB  
 Amplitude modulation depth, typical 81%  
 Signal/noise ratio, weighted >/=55 dB

TV system	Dis-played	Audio Subcarrier	Video standard
B/G	b5	5.5 MHz	PAL
D/K	d6	6.5 MHz	PAL/SECAM
Australia	A5	5.5 MHz	PAL
I	,6	6.0 MHz	PAL
L	L6	6.5 MHz	SECAM
M	J4	4.5 MHz	PAL/NTSC
N	U4	4.5 MHz	PAL/NTSC

\*) For digital channels at 550~862 MHz, carriers are -10 dB lower relative to analog channels.  
 \*\*) Test by Hi-Pot tester.  
 \*\*\*) Test by Voltage Meter applied between the protective earth contact of mains plug and all accessible conductive parts.  
 \*\*\*\*\*) Available to set standard deviation +/-50 kHz of sound carrier when input level 340mV-775mV in both audio input.

All specifications stated are subject to change without notice.