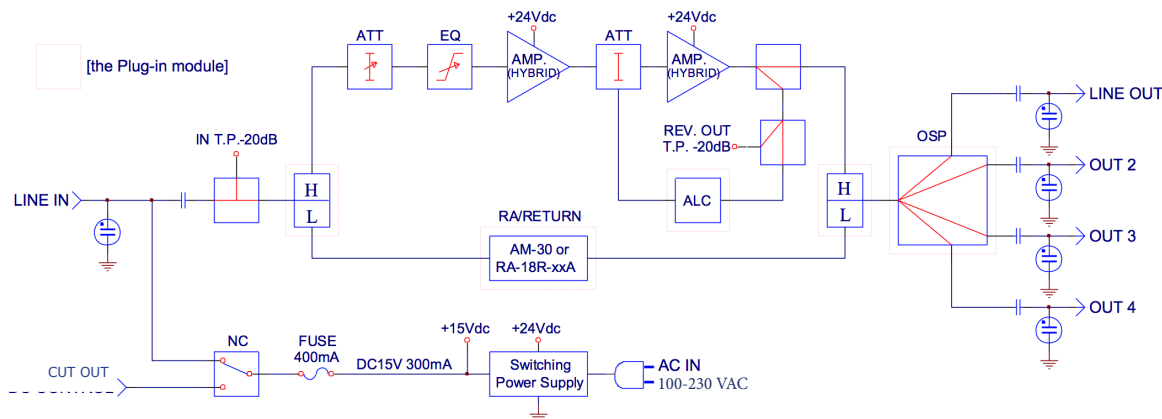


SEAS 4042 for 56/64 outlets (36/44dB)
Size: (L) 265 x (W) 190 x (H) 110 mm

FEATURES

- Digital and analogue
- Worldwide marine use
- Proven and reliable technology
- Simple and easy installation
- No additional accessories in system setup
- Excellent ESD and surge protection
- Line amplifier for worldwide marine use
- Advanced ALC (Automatic Level Control) with LO-HI switch
- Test points on input and output
- Sturdy die-cast housing conforming to protection class IP54
- Build-in Digital Modulator for DVB-T



DESCRIPTION

SEAS 4042; 56/64 outputs; 36/44 dB
with build-in Digital Modulator

PART NO

4042

TECHNICAL SPECIFICATION

Size	(H) 265 x (W) 190 x (D) 110 mm
Housing	Aluminium Die-casting, Finishing: Black painted
Connectors	IN: 5/8"-24 NEF F-Female to 3/8"-32 UNEF F-Female Adaptor OUT: F-Female Connector (4 pcs)
Weight	3.50 Kg

Electrical Specification

RF Amplification	Push-Pull Hybrid Module
Operation Gain	(w/ RA-30) 100 KHz 16.5 dB min.
	5 MHz 22.0 dB min.
IN-OUT	27 MHz 27.0 dB min.
	47~862 MHz 36.0 dB min. w. 4 outputs
	47~862 MHz 42.0 dB min. w. 1 output
	44.0 dB min.
Operation Gain	
Gain Control	0~ -18.0 dB (adj.)
Slope Control	(w/ MS-86/ 18) 0~ -18.0 dB (adj.)
Auto Level Control	(w/ ALC-12) +/-12.0 dB
Noise Figure	47~862 MHz 8.0 dB typ. 9.0 dB max.
Output Level (Reference)	55/ 550/ 862 MHz 77 NTSC chs. +312 MHz digital* (97 / 102 / 94 dBu V)
Composite Second Order (CSO)	-60 dBc
Composite Triple Beat (CTB)	-60 dBc
Cross Modulation (XMOD)	-60 dBc
Return Loss	100~300 KHz 6 dB min.
(w/ Jumpers)	300 KHz~27 MHz 14 dB typ. 12 dB min.
	47~862 MHz 12 dB typ. 10 dB min.

General Specifications

Input Voltage	100-230 VAC +/-5%/ 50/60Hz.
Input & Output Test Ports	-20 +/- 2 dB, F-Female
Input & Output Impedance	75 Ohm
Surge Protection	7000 V for 1.2 x 50 µs
Fuse (For Power Supply)	0.2 A / 250 V (230 Vac)
Power Consumption (Including Powering output to Antenna)	35 W
AC Cord	AC Inlet Module; 1,5m cord w. Schuko
Operating Temperature	-40 to +60°C
Cut out function	Build-in relay activated by singel pole switch.

EMC & Safety

EMC	EN60945:2002, EN55027-2, EN61000-3-2/3-3/4-2-4-6
Safety	EN60950, EN60601
Water Ingress Rating	IP54 (NEMA 4)
Dielectric Strength Test**	>2M Ohm, <1m A @2120VDC
Protective Earth Connection***	<0.1 Ohm



Digital Modulator characteristics

Video Input	
Input signal type	HDMI
Video coding	MPEG-4 AVC/H.264, Baseline profile 4.0
Audio input	
Input signal type	HDMI
Video coding	MPEG-1 Layer II, AAC
H.264 encoder	
Standard	MPEG-4 AVC/H.264
Output Resolution	Up to 1920 x 1080 x 30p
Transport stream processing	
Automatic generation	PAT, SDT, PMTs tables
RF Output	
DVB Standard	DVB-T
Frequency range*****	174-230 MHz, 470-862MHz
MER, typical	32 dB
Modulation	QAM64
Channels bandwidth*****	7 MHz / 8 MHz
Shoulder attenuation	> 36 dB
Level/Impedance	90 dBµV/75 Ω
Output level adjustmenp*****	0 ÷ -30 dB by 1 dB step
Loop through frequency range/loss	45-862 MHz / ≤ 2.5 dB
Current Consumption	12 ± 1 V 300mA

*) For digital channels at 550~862 MHz, carriers are -10 dB lower relative to analog channels.

***) Test by Hi-Pot tester.

****) Test by Voltage Meter applied between the protective earth contact of mains plug and all accessible conductive parts.

*****) Software Control

All specifications stated are subject to change without notice.