



2 Way splitter - w. F connectors
Size: (H) 46 x (W) 76 x (D) 32 mm

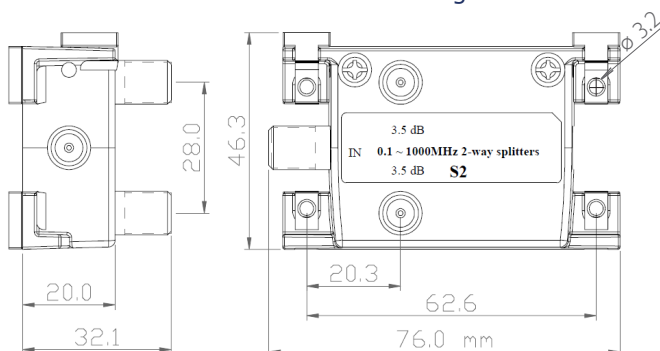


4 Way splitter - w. F connectors
Size: (H) 46 x (W) 76 x (D) 32 mm

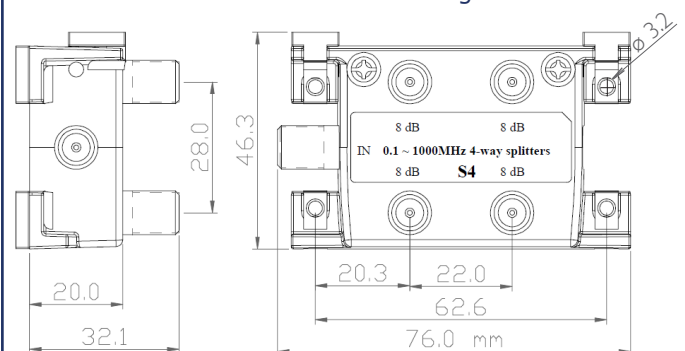
FEATURES

- Digital-analogue splitters for marine use 100 kHz-1000 MHz
- Isolated 5 mm base, to avoid grounding to hull, to make it double isolated
- Linear frequency response up to 1000 MHz
- Excellent port isolation
- Nickel plated HQ housing

MECHANICAL MEASUREMENTS
SEAS S2 Metal Casing



MECHANICAL MEASUREMENTS
SEAS S4 Metal Casing



DESCRIPTION



SEAS S2 w. F conn.
SEAS S4 w. F conn.

PART NO

2010
2012

TECHNICAL SPECIFICATION

Size (H) 46 x (W) 76 x (D) 32 mm
 Bottom spacer ABS Blue
 Housing Zinc Die-casting - finishing: CuSn Plated
 Weight 145g

		S2		S4	
Insertion Loss	100 KHz	6 dB max.		12.5 dB max.	
	0.1~5 MHz	3.5 dB typ.	6 dB max.	6.7 dB typ.	12.5 dB max.
	IN-OUT 5~20 MHz	3.3 dB typ.	3.6 dB max.	6.7 dB typ.	7.2 dB max.
	20~300 MHz	3.3 dB typ.	3.6 dB max.	6.7 dB typ.	7.2 dB max.
	470~860 MHz	3.6 dB typ.	4.2 dB max.	7.1 dB typ.	8.0 dB max.
	860~1.000 MHz	3.3 dB typ.	3.6 dB max.	6.7 dB typ.	7.2 dB max.
Isolation	5~40 MHz	14.0 dB min.		14.0 dB min.	
	40~300 MHz	25.0 dB min.		20.0 dB min.	
	OUT-OUT 470~860 MHz	22.0 dB min.		20.0 dB min.	
	860~1.000 MHz	14.0 dB min.		14.0 dB max.	
Return loss**	5~40 MHz	16.0 dB min.		18.0 dB min.	
	40~860 MHz	20.0 dB *			
	IN 860~1.000 MHz	10.0 dB min.			
	40~1.000 MHz			20.0 dB *	
OUT	5~20 MHz	14.0 dB min.		14.0 dB min.	
	20~40 MHz	20.0 dB min.		18.0 dB min.	
	40~1.000 MHz	20.0 dB *		20.0 dB *	
Connectors	"F" Female				
Impedance	75 Ohms				
Screening factor	Class A				
Operation temp.	-40 to +60°C				
Water Ingress Rating	IP50 (Indoor installation only)				
Approvals	CE50083-2:2006 (Class A)     				

*) At 40 MHz - 1.5 dB/ OCT

***) The tolerance of Return Loss Measurement: +/- 1.0 dB

All specifications stated are subject to change without notice.