



2 Way tap off - w. F connectors  
Size: (H) 46 x (W) 76 x (D) 32 mm

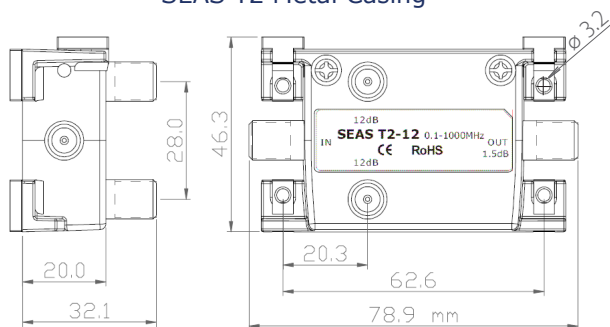


4 Way tap off - w. F connectors  
Size: (H) 46 x (W) 76 x (D) 32 mm

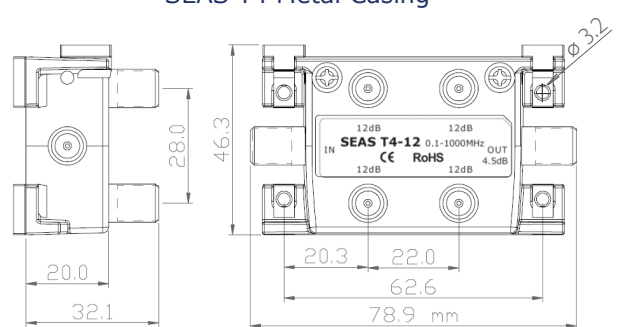
## FEATURES

- Digital-analogue splitters for marine use 100 kHz-1000 MHz
- Isolated 5 mm base, to avoid grounding to hull, to make it double isolated
- Linear frequency response up to 1000 MHz
- Excellent port isolation
- Nickel plated HQ housing

MECHANICAL MEASUREMENTS  
SEAS T2 Metal Casing



MECHANICAL MEASUREMENTS  
SEAS T4 Metal Casing



## DESCRIPTION

SEAS T2-12 w. F conn.  
SEAS T2-16 w. F conn.  
SEAS T4-12 w. F conn.  
SEAS T4-16 w. F conn.  
SEAS T4-20 w. F conn.

## PART NO

2020  
2022  
2040  
2042  
2044



# SEAS T2+T4

## Tap offs, 2 and 4 ways

### TECHNICAL SPECIFICATION

Size (H) 46 x (W) 76 x (D) 32 mm  
 Bottom Spacer PP, RAL5003 Dark Blue  
 Housing Zinc Die-casting - finishing: CuSn Plated  
 Connectors "F" Female  
 Weight 160g

	Freq. Range (MHz)	T2-12	T2-16	T4-12	T4-16	T4-20
<b>Insertion Loss (dB)</b>						
IN-OUT	100~500 KHz	5.2 max.	4.5 max.	13 max.	12.5 max.	11 max.
	0.5~5	2.5 max.	1.5 max.	4.5 typ. 6 max.	3 typ. 5 max.	3 typ. 4.5 max.
	5~300	2.4 max.	1.8 max.	4.5 typ. 5.3 max.	4.4 max.	3.5 typ. 4.5 max.
	300~1000	2 typ. 3 max.	1.8 typ. 2.8 max.			
	300~860			5 typ. 6 max.	3.8 typ. 4.8 max.	3.5 typ. 4.5 max.
	860~1000			5.8 typ. 6.5 max.	4.2 typ. 5 max.	3.8 typ. 4.5 max.
<b>Tap Loss (dB)</b>						
IN-TAP	100~500 KHz	18.5 max.	21.5 max.	23.5 max.	25 max.	31.5 max.
	0.5~5	12.5 typ. 13.5 max.	17 typ. 18 max.	12.5 typ. 14 max.	16.5 typ. 18 max.	21 typ. 23 max.
	5~300	12.5 +/- 1	16 +/- 1	13 +/- 1	16 +/- 1	20 +/- 1
	300~860	12.5 +/- 1.5	16 +/- 1.5	12.5 +/- 1.5	16 +/- 1.5	20 +/- 1.5
	860~1000	13 +/- 1.5	16.5 +/- 1.5	12.5 +/- 1.5	16.5 +/- 2	20 +/- 1.5
<b>Isolaion (dB)</b>						
TAP-OUT	5~40	25 min.	28 min.	20 min.	28 min.	30 min.
	40~300	28 min.	30 min.	25 min.	28 min.	30 min.
	300~860	20 min.	20 min.	20 min.	22 min.	24 min.
	860~1000	20 min.	20 min.	20 min.	22 min.	24 min.
TAP-TAP	5~40	36 min.	40 min.	30 min.	40 min.	40 min.
	40~300	40 min.	40 min.	35 min.	40 min.	40 min.
	300~860	36 min.	36 min.	30 min.	36 min.	36 min.
	860~1000	34 min.	36 min.	28 min.	34 min.	36 min.
<b>Return Loss** (dB)</b>						
IN	5~20	18 min.	16 min.			
	5~40	18 min.	18 min.			
	40~1000	20*	20*			
	5~40			12 min.	12 min.	12 min.
	40~1000			20*	20*	20*
OUT	5~20	18 min.	16 min.			
	20~40	20 min.	18 min.			
	40~1000	20*	20*			
	5~40			12 min.	12 min.	16 min.
	40~860			20*	20*	20*
	860~1000			20*	20*	20*
TAP	5~20	12 min.	10 min.			
	20~40	12 min.	20 min.			
	40~1000	20*	20*			
	5~40			12 min.	12 min.	12 min.
	40~860			20*	20*	20*
	860~1000			20*	20*	20*

Impedance 75 Ohms  
 Screening factor Class A  
 Operation temp. -40 to +60°C  
 Water Ingress Rating IP50 (Indoor installation only)  
 Approvals CE50083-2:2006 (Class A)



\*) At 40 MHz - 1.5 dB/ OCT

\*\*) The tolerance of Return Loss Measurement: +/- 1.0 dB

All specifications stated are subject to change without notice.