



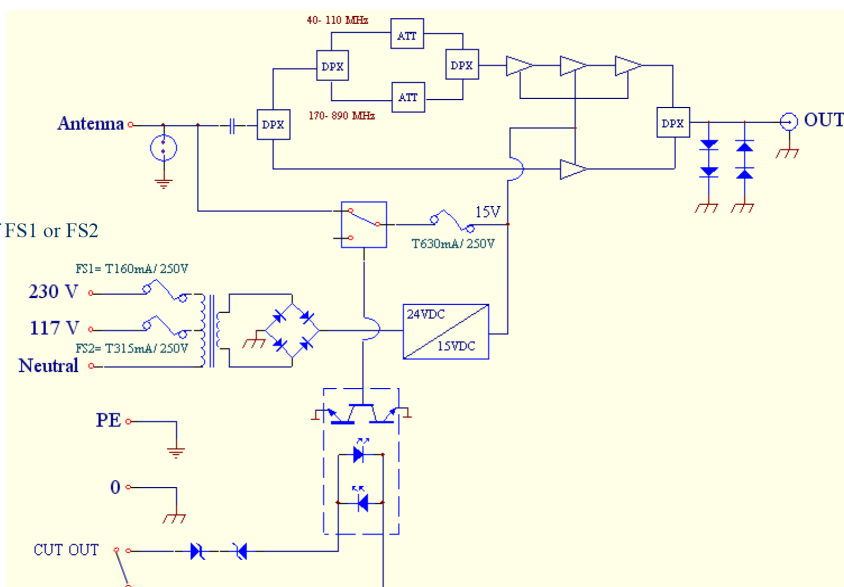
SEAS 4020 for 16 outlets (20dB)
Size: (L) 230 x (W) 165 x (H) 82 mm

FEATURES

- Proven and reliable technology
- Simple and easy installation (see instructions)
- No additional accessories in system setup
- Excellent ESD and Surge protection
- Line amplifier for worldwide marine use
- Sturdy die-cast housing conforming to protection class IP54
- DC blocking on output (req. for replacing other brand active antennas)

FUSE Note:

Mount only one fuse of FS1 or FS2



DESCRIPTION

SEAS 4020 w. 16 outputs (20 dB)

PART NO

4020

SEAS 4020_Rev. 1.6.pdf



SEAS 4020

Line amplifier for 16 outlets and 20 dB

TECHNICAL SPECIFICATION

Size	(H) 230 x (W) 165 x (D) 82 mm
Housing	Aluminium Die-casting, Finishing: Black painted
Connectors	IN,OUT: 5/8"-24 NEF F-Female to 3/8"-32 UNEF F-Female Adaptor
Cord Bushing	Ø12.5, Black : Relay Control
Weight	2.5Kg

Electrical Specification

Frequency Range		Freq. Range (MHz)	0.1 ~ 26.5; 40 ~ 890 MHz
Gain	Antenna-OUT	0.1 ~ 26.5	12.0 dB min.
		40 ~ 110	18.0 dB min.
		170 ~ 890	20.0 dB min.
Return Loss	OUT	40 ~ 270	11.0 dB*
		110 ~ 170	none
		200 ~ 890	16.0 dB*
	Antenna	40 ~ 830	11. dB*
Noice Figure			7.5 Db max.
Flatness of Frequency Response			+/- 2 dB max.
Max. Output Level, 2 signals			105 dBuV, 3rd order IMD
Variation of Gain with Temperature			0.02 dB/C max.
Manual Attenuation			
	FM	40 ~ 110 MHz	0 ~ 20 dB
	TV	170 ~ 890 MHz	0 ~ 20 dB
Current Consumption			150 mA +/- 10%

General Specifications

Input Voltage		230 VAC/ 50/60Hz. Alt. 117 VAC**
Current	Amplifier Current	200 mA max.
Ripple		2mV RMS Max.
DC blocking on output		Max. 30VDC and 500 mA
AC Cord		Schuko type § 4.8 mm 2 Round pin + Ground port, 1.5 m cord
Operating Temperature		-40 to +60°C
Cut out function		Build-in relay activated by singel pole switch.

EMC & Safety

EMC	EN50083-2, EN61000-3-2/3-3
Safety	EN60945, EN60065, EN60728
Water Ingress Rating	IP54 (NEMA 4)
Dielectric Strength Test***	1 mA max.
Protective Earth Connection****	1 V AC max.



- *) At 40 MHz -1.5 dB/oct.
- **) By alternative fuse included in box
- ***) Test by Voltage Meter applied between the protective earth contact of the mains plug and all accessible conductive parts.
- ****) Test by Hi-Pot tester.

All specifications stated are subject to change without notice.